



AP SERIES PATIO SPEAKER INSTALL GUIDE

AP490T | AP525T | AP650T | AP850



Preparation:

Tools For Installation

- Pencil
- Drill
- Tape Measure
- Wire Cutter
- Phillips Screwdriver
- Utility Knife
- Safety Eye Wear
- Gloves

Speaker Wire Guide

- 18AWG minimum - for distances up to 10 ft
- 16AWG - from 10 to 50 ft
- 14AWG - from 50 to 100 ft

Considerations

- Where is the best place to install the speakers?
- Where do the speakers sound the best?
- Separate the speakers 6 - 10 feet apart.

Placement

These weather resistant patio speakers are manufactured to resist a variety of weather condition. The most ideal place to install these speakers is the undersides of most eaves and overhangs as they provide the best protection. Like all speakers, they sound the best when placed no more than six to ten feet apart from each other, and slightly higher than ear level. If the speakers are more than ten feet apart, toe them in toward the center of the listening area.

(NOTE) These speakers are not waterproof and cannot be submerged under water.

Installation:

Mounting

If your application requires the speaker to be mounted, please follow these directions. Using the hardware supplied, mount the bracket first. Attach the speakers to the brackets using the large plastic knobs supplied. Never mount a speaker on a wall made of unreinforced drywall or plasterboard. If you are unsure, consult a professional contractor. To install the speaker to the bracket. Screw the bracket knobs into the cabinet. Point the speaker toward the listening area. Once the direction of the speaker has been determined tighten the bracket knobs securely. **(See Diagram 1.)**

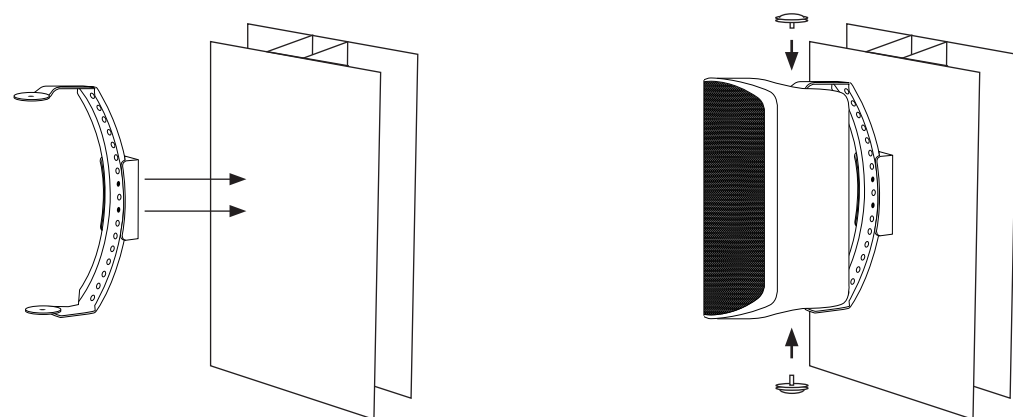
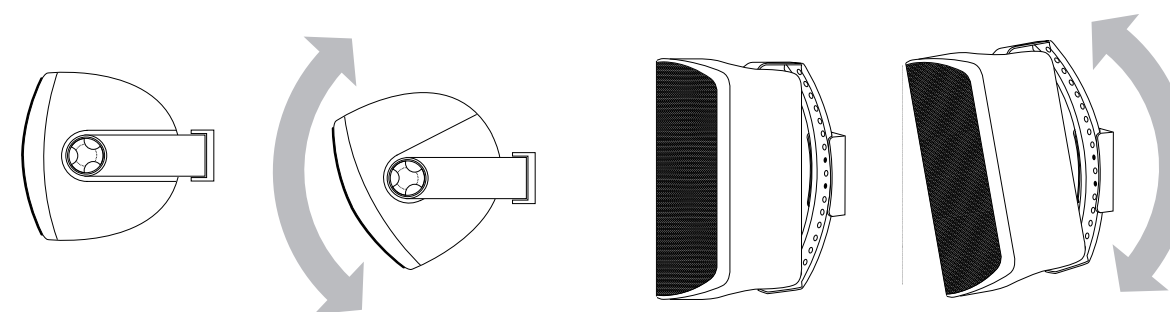


Diagram 1

Mounting Options

The Full Motion Bracket has the ability to tilt and swivel to suit your particular application or listening preference. **(See Diagram 2.)**

Diagram 2

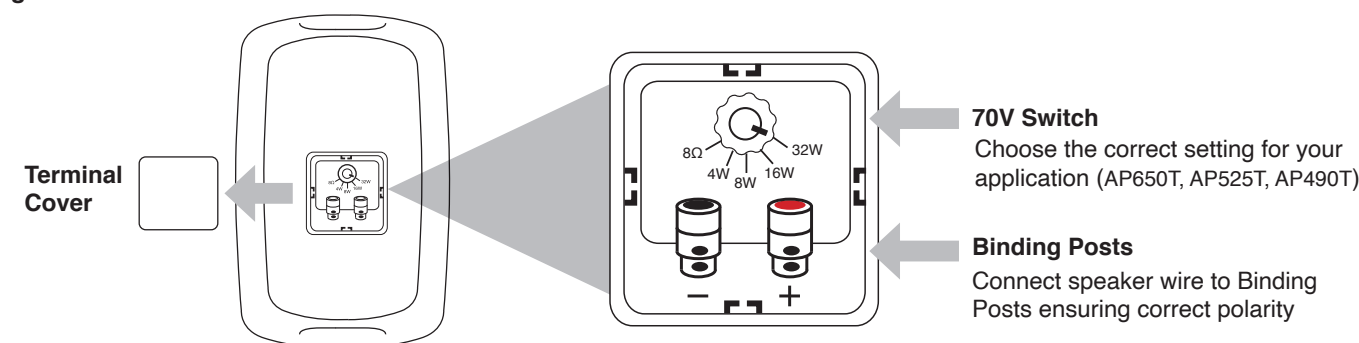


Wiring

The binding post speaker terminals on the speakers will accommodate up to 12-gauge wire. Connect the speaker cable to the speaker cable terminals, matching the proper polarity with your amplifier, + to + (red) and - to - (black). Make sure to connect the right channel to the right speaker and the left channel to the left speaker. Either channel may be attached to either terminals set, however, be sure that polarity (+ and -) is correct on each channel or the performance of the speaker will be seriously affected as one channel will cancel out the other.

Some AP Series Models are equipped to play as a standard 8 Ohm speaker or as a 70V speaker. Choose the correct setting on the back using the dial to match your application. **(See Diagram 3.)**

Diagram 3



Specifications

AP 850

- 8" 2-Way Patio Speaker
- Woofer: 8" poly cone
- Tweeter: 1" Silk Soft Dome
- Dual Port Design
- Power Handling 20W-200W Peak
- Sensitivity: 88dB 1W/1M
- Freq Response: 33Hz – 22kHz
- Impedance: 8 ohms
- IP rating: IP54
- Grille: Rustproof Aluminum
- Full Motion Bracket
- Colors available: Black or White
- Weight: 11 lbs. each, sold in pairs
- Dimensions: HxWxD 14.9" x 9.6" x 9.4"

AP 650T

- 6.5" 2-Way Patio Speaker
- Woofer: 6.5" Waterproof Paper Cone
- Tweeter: 1" Silk Soft Dome
- Sealed Design
- Power Handling 20W-150W Peak
- Sensitivity: 90dB 1W/1m
- Freq Response: 35Hz – 22kHz +/- 10dB
- Impedance: 8 ohms
- 70V Settings: 32W, 16W, 8W, 4W
- IP rating: IPX6
- Grille: Powder Coated Rustproof Aluminum
- Full Motion Bracket
- Colors available: Black or White
- Weight: 9 lbs. each, sold in pairs
- Dimensions: HxWxD 12" x 7.6" x 8.6"

Specifications

AP 525T

- 5.25" 2-Way Patio Speaker
- Woofer: 5.25" Waterproof Treated Paper
- Tweeter: 1" PEI Dome
- Sealed Design
- Power Handling 20W-150W Peak
- Sensitivity: 90dB 1W/1M
- Freq Response: 38Hz – 20kHz +/- 10dB
- Impedance: 8 ohms
- 70V Settings: 32W, 16W, 8W, 4W
- IP rating: IPX6
- Grille: Powder Coated Rustproof Aluminum
- Full Motion Bracket
- Colors available: Black or White
- Weight: 7 lbs. each, sold in pairs
- Dimensions: HxWxD 10" x 6.5" x 6.5"

AP 490T

- 4.0" 2-Way Patio Speaker
- Woofer: 4" Poly Cone
- Tweeter: 1/2" Mylar Dome
- Sealed Design
- Power Handling 5W-60W Peak
- Sensitivity: 88dB 1W/1M
- Freq Response: 70Hz – 20kHz +/- 10dB
- Impedance: 8 ohms
- 70V Settings: 16W, 8W, 4W, 2W
- IP rating: IPX6
- Grille: Powder Coated Rustproof Aluminum
- Full Motion Bracket
- Colors available: Black or White
- Weight: 4 lbs. each, sold in pairs
- Dimensions: HxWxD 7.7" x 4.85" x 4.75"

WARRANTY

All OSD AUDIO outdoor speakers have (1) year Limited Warranty against defects in materials and workmanship. Proof of purchase must accompany all claims. During the warranty period OSD AUDIO will replace any defective part and correct any defect in workmanship without charge for either parts or labor.

OSD AUDIO may replace returned speakers with a product of equal value and performance. In such cases, some modifications to the mounting may be necessary and are not OSD AUDIO's responsibility.

For this warranty to apply, the unit must be installed and used according to its written instructions. If necessary, repairs must be performed by OSD AUDIO. The unit must be returned to OSD AUDIO at the owner's expense and with prior written permission. Accidental damage and shipping damage are not considered defects, nor is damage resulting from abuse or from servicing performed by an agency or person not specifically authorized in writing by OSD Audio.

OSD AUDIO sells products only through authorized dealers and distributors to ensure that customers obtain proper support and service. Any OSD AUDIO product purchased from an unauthorized dealer or other source, including retailers, mail order dealers and online sellers will not be honored or serviced under existing OSD AUDIO warranty policy. Any sale of product by an unauthorized source or other manner not authorized by OSD AUDIO shall void the warranty on the applicable product.

Damage to or destruction of components due to application of excessive power voids the warranty on those parts. In these cases, repairs will be made on the basis of the retail value of the parts and labor. To return for repairs, you must email customer service at RMA@audiogeargroup.com for a Returned Merchandise Authorization (RMA) number then the unit must be shipped to OSD AUDIO at the owner's expense, along with a note explaining the nature of service required. Be sure to pack the product(s) in a corrugated container with at least 3 inches of resilient material to protect the unit from damage in transit.

This Warranty Does Not Cover: Damage caused by abuse, accident, misuse, negligence, or improper operation (installation) • Any products that have been altered or modified • Any product whose identifying number of decal, serial #, etc. has been altered, defaced or removed • Normal wear and maintenance.