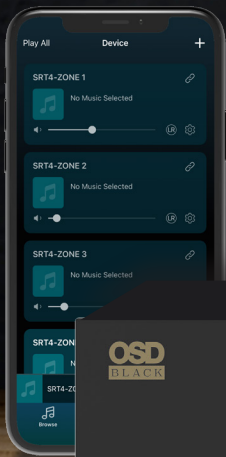




SRT4 GEN2



OWNER'S MANUAL

Introduction

OSD – The Best Value in Sound

Thanks for joining the OSD owners club.

Thank you for purchasing the Black SRT4 Gen2 4 Zone Wi-Fi Smart Preamp Streamer. This multi-zone preamp is ideal for commercial and residential applications. The SRT4 Gen2 is compatible with the OSD Player app for control over all your Zones/Sources individually or all zones together in multi-room audio mode.

Remove the SRT4 Gen2 from the box and inspect the device to make sure it is free of any damage and that all package contents are accounted for before proceeding.

If you have any questions about your SRT4 GEN2, please contact us directly.

www.osdaudio.com

email: support@osdaudio.com



Phone: 888-779-4968

In The Box

QR Manual Card	Qty: 1
12V 2A US Power Adapter	Qty: 1
Network LAN Cables	Qty: 1
Rack Mount Ears	Qty: 2
Screws	Qty: 6

WARNING

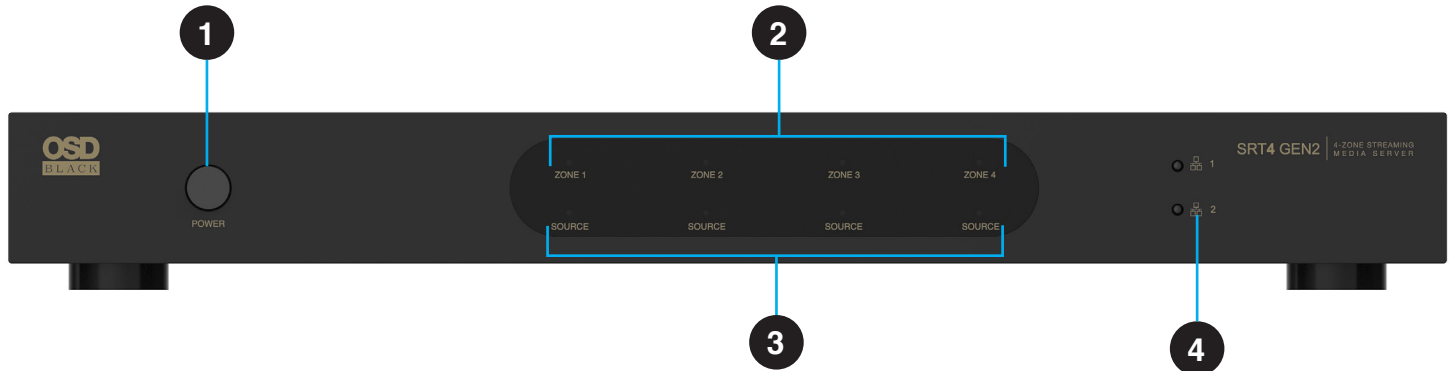
- TO PREVENT FIRE OR SHOCK HAZARD, DO NOT USE THIS PLUG WITH AN EXTENSION CORD, RECEPTACLE OR OTHER OUTLET UNLESS THE BLADES CAN BE FULLY INSERTED TO PREVENT BLADE EXPOSURE.
- TO PREVENT FIRE OR SHOCK HAZARD, DO NOT EXPOSE THIS APPLIANCE TO RAIN OR MOISTURE.
- TO PREVENT ELECTRICAL SHOCK, MATCH WIDE BLADE PLUG TO WIDE SLOT, FULLY INSERT.

 <p>This lightning flash with arrowhead symbol, within an equilateral triangle, is intended to alert the user to the presence of un-insulated dangerous voltage within the products enclosure that may be of sufficient magnitude to constitute a risk of electric shock to persons.</p>	<p style="text-align: center;">CAUTION</p> <p style="text-align: center;">RISK OF ELECTRIC SHOCK DO NOT OPEN</p> <p>This lightning flash with arrowhead symbol, within an equilateral triangle, is intended to alert the user to the presence of un-insulated dangerous voltage within the products enclosure that may be of sufficient magnitude to constitute a risk of electric shock to persons.</p>	 <p>The exclamation point within the equilateral triangle is intended to alert the user to the presence of important operating and maintenance (servicing) instructions in the literature accompanying appliance.</p>
---	--	--

IMPORTANT SAFETY INSTRUCTIONS

1. Read these instructions.
2. Keep these instructions.
- 3 Read all warnings.
- 4 Follow all Instruction.
5. Do not use this apparatus near water.
6. Clean only with dry cloth.
7. Do not block any ventilation openings. Install in accordance with the manufacturers instructions.
8. Do not install near heat sources such as radiators, heat registers, stoves, or other apparatus (including amplifiers) that produce heat.
9. Do not defeat the safety purpose of the polarized or grounding type plug. A polarized plug has two blades with one wider than the other. A grounding type plug has two blades and a third grounding prong. If the provided plugs does not fit into your outlet, consult an electrician for replacement of the obsolete outlet.
10. Protect the power cord from being walked on or pinched particularly at the plugs, convenience receptacles, and at the point where they exit form the appliance.
11. Only use attachments or accessories specified by the manufacturer.
12. Unplug the apparatus during lightning storms or when unused for long periods of time.
13. Refer all servicing to qualified personnel. Servicing is required when the apparatus has been damaged in anyway, such as power supply cord or plug is damaged, liquid has been spilled or objects have fallen into the apparatus, the apparatus has been exposed to rain or moisture, does not operate normally, or has been dropped.

Front Panel Description



- 1. Power Switch
- 2. Four Zone Active Indicator
- 3. Four Source Indicator
- 4. Network Status Lights

Rear Panel Description



- 1. Pre-Out (Zone1-4) RCA Stereo Output
- 2. Line-in (Zone 1-4) RCA Stereo Input
- 3. Digital Output (Zone 1-4) Single RCA Coaxial
- 4. Digital Output (Zone 1-4) Fiber Optical
- 5. 12V Trigger Output (Zone 1-4)
- 6. USB Input (Zone 1-4)Read U Disk
- 7. Line-in (Universal Bus) RCA Stereo Input
- 8. Digital Input (Universal Bus) Single RCA Coaxial
- 9. Digital Input (Universal Bus) Fiber Optical
- 10. 12 Volt Trigger Universal Bus
- 11. Reset Button Factory Reset
- 12. Ethernet Lan Network Input
- 13. Ethernet Lan Network Output
- 14. Power Connection CD12V2/A DC Input

Placement

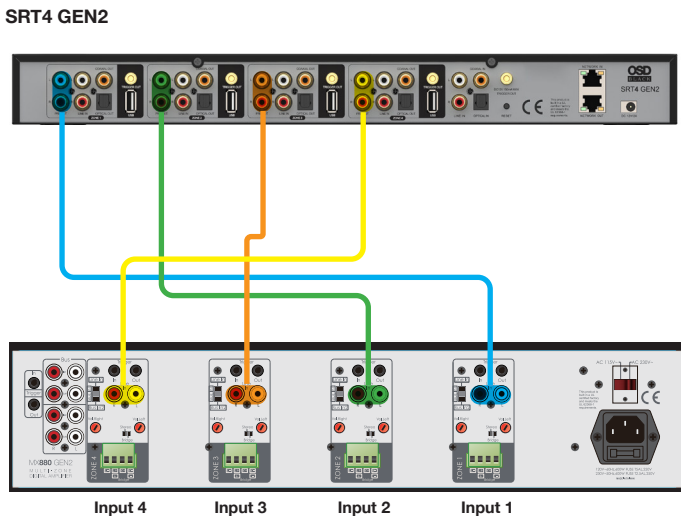
The SRT4 Gen2 is a Four Zone Preamp Audio Streamer that works well with our MX Gen2 Series of Multi-Channel Power Amplifiers. The SRT4 Gen2 should be placed close to the Multi Channel Power Amplifier. The SRT4 Gen2 is designed to fit a 1U equipment rack for easy installation. Attach the optional Rack Mount Ears included in the box on both sides of the main chassis. It is designed to mount in a standard EIA certified equipment rack.

Remove the two screws on each side of the SRT4 Gen2. Align the rack mounts with the screw holes and make sure the screw are tightly secured.

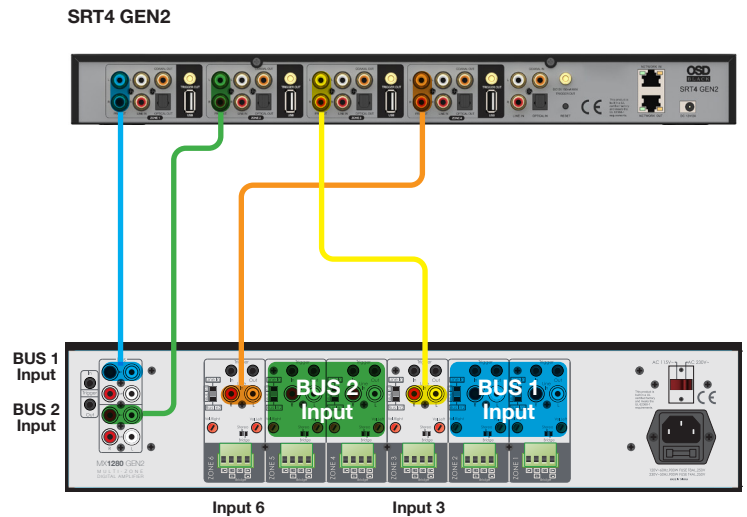


Connecting with Multi Channel Options

The following two wiring diagrams features a straight Four Zone to Four Zone connection utilizing our MX880 Gen2 Power Amp with the SRT4 Gen2. And a second diagram featuring a Four Zone to our Six Zone MX1280 Gen2 Multi-Zone Power Amp with two direct Zone connections and Two Zones Connecting to Four Zones utilizing the Dual Universal Bus Inputs.



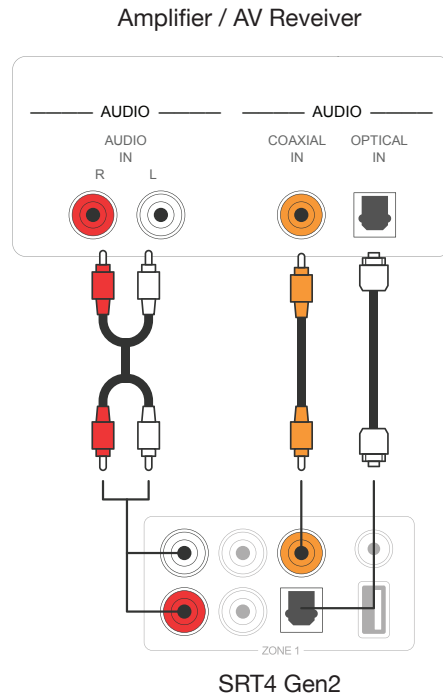
MX880 4-ZONE AMP



MX1280 6-ZONE AMP

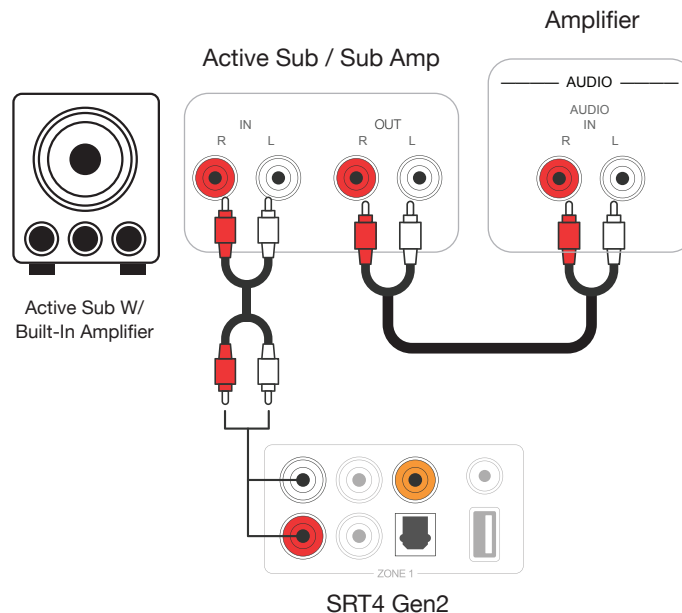
Connect to AVR/Amplifier or Subwoofer

Connect the LINE Out output to the input on your amplifier or AV receiver using the appropriate cable. The SRT4 Gen2 supports both analog output (RCA) and digital output (Optical & Coaxial)



Adding a Powered Subwoofer to a Zone.

Connect a zone LINE OUT output to your LINE IN input of your Active Powered Subwoofer. Use the sub's line out to connect to the amplifier.

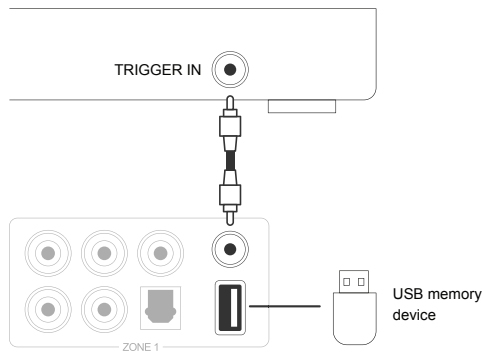


Trigger Control

If the audio amplifier connected to the SRT4 Gen2 has a trigger input connector, you can connect it to the TRIGGER OUT of the SRT4 gen2 using a 3.5mm cable (not included). A 12V150mA signal is output from the TRIGGER OUT port. Use a monaural mini-plug cable for connecting the TRIGGER OUT port. Do not use a stereo (AUX) mini-plug cable.

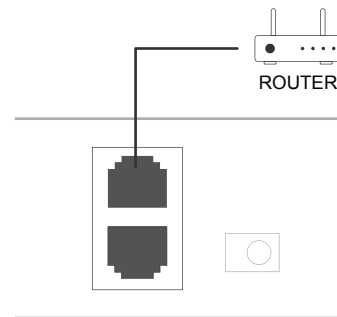
Connect to USB Device

To play music stored in a USB storage device, just plugin a USB Jump/Pen drive storage device containing music files to the USB port of the Zone you want them to play through.



Connect to a Network / or Slect Smart Home Control

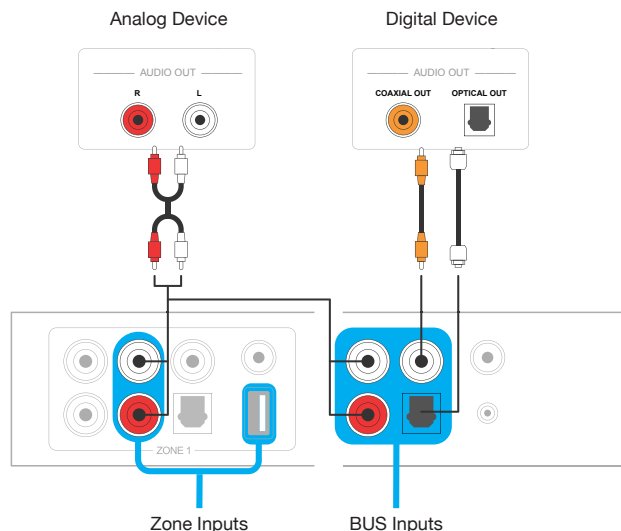
Connect SRT4 Gen2 to your home router using a LAN network cable. Wi-Fi not supported. You can use the NETWORK OUT port to connect another device to the same network.



Connect to Audio Playback Devices

Connect the LINE IN in each zone or LINE IN, COAXIAL IN, OPTICAL IN in the Universal bus Input area to an audio playback device, it can be a CD Player, portable Music Player or any device with Audio Output using the same connector.

In the APP, LINE IN in each zone is represented as Line in 1, LINE IN in the Universal input area is noted as Line in 2.



Setup & Operation

Once the SRT4 Gen2 is connected and in the desired location, plug the included power supply into the SRT4 Gen2 and into an available outlet.

(Note, you will need direct access to your network router for the LAN connection)

The next step is to connect the SRT4 Gen2 to your network for streaming and control of each zone using the OSD Player App.

LAN Direct Wire/Cable connectivity for SRT4 Gen2

1. Download and install the OSD app by scanning the QR code or search “OSD Player” in the App store/Google Play store.



OSD Player



2. Connect the SRT4 Gen2 to your network router using the RJ45 Ethernet port on the rear panel
3. Lan connection will automatically setup all zones. Ensure your mobile device is connected to the same network and open the OSD Player control app.

SRT4 Gen2 Streaming Services:

Listen to Online Music

The SRT4 Gen2 can work with many popular streaming music services like Spotify, Tidal, Napster, and AMAZON MUSIC. Plus, Internet Radio Apps like TuneIn, iHeartradio, and VTuner. You can easily stream music or playlists from your account wirelessly and listen on your home audio system.

Spotify

To use Spotify, you will need to have Spotify premium account. You will find the OSD Audio Streaming device in the device list in Spotify Application and choose that device you want to stream.

AMAZON Music

To use AMAZON Music like Spotify, you will need to have an AMAZON Music premium account as well. You will find the OSD Audio Streaming device in the device list in AMAZON Music Application and choose that device you want to stream.

Airplay 1

The device supports Airplay1, you can choose Airplay1 in iOS device and play music.

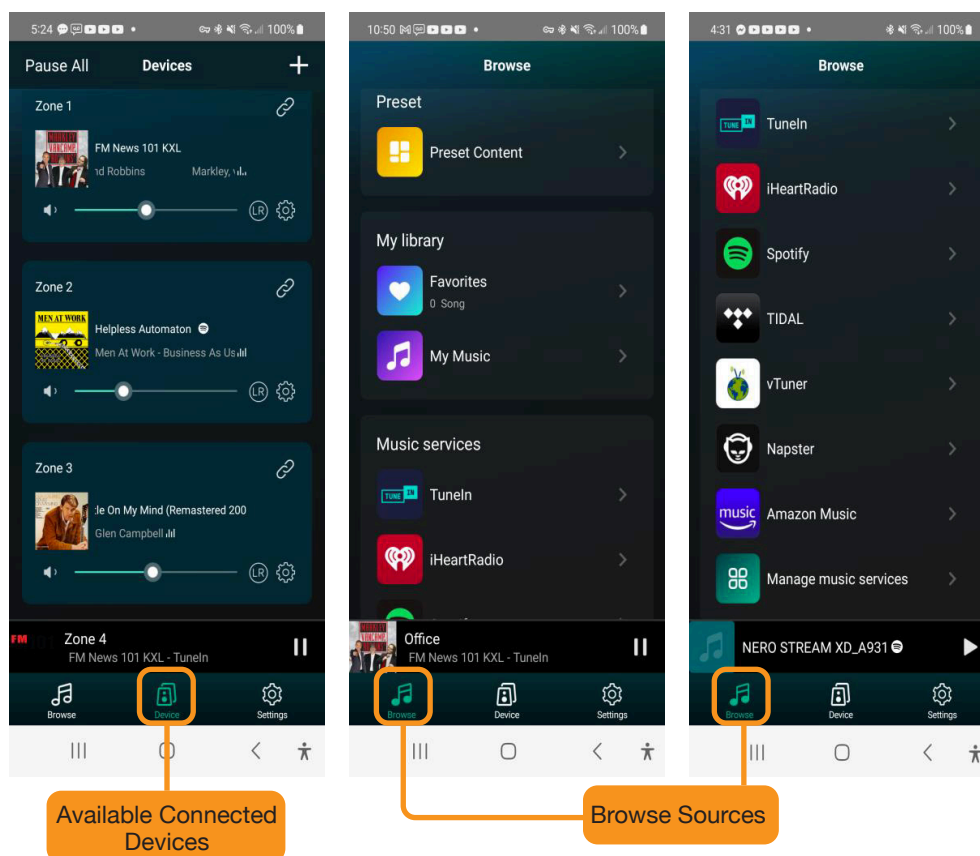
Listen to local music

The SRT4 Gen2 can stream local music stored in your Smartphone, USB storage device, NAS using DLNA protocol, PC software like iTunes, or UPnP/DLNA 3rd party software. Click on “My Music” to select the local device you want to play from.

Note: iOS-based devices have blocked the access to iTunes library. Our system only supports NAS using DLNA protocol.

Using the SRT4 Gen2

Once you have connected your mobile to network and installed the OSD Audio Player App in your mobile device, you can start playing music to different rooms or the same music in all rooms in sync.



Selecting a Zone

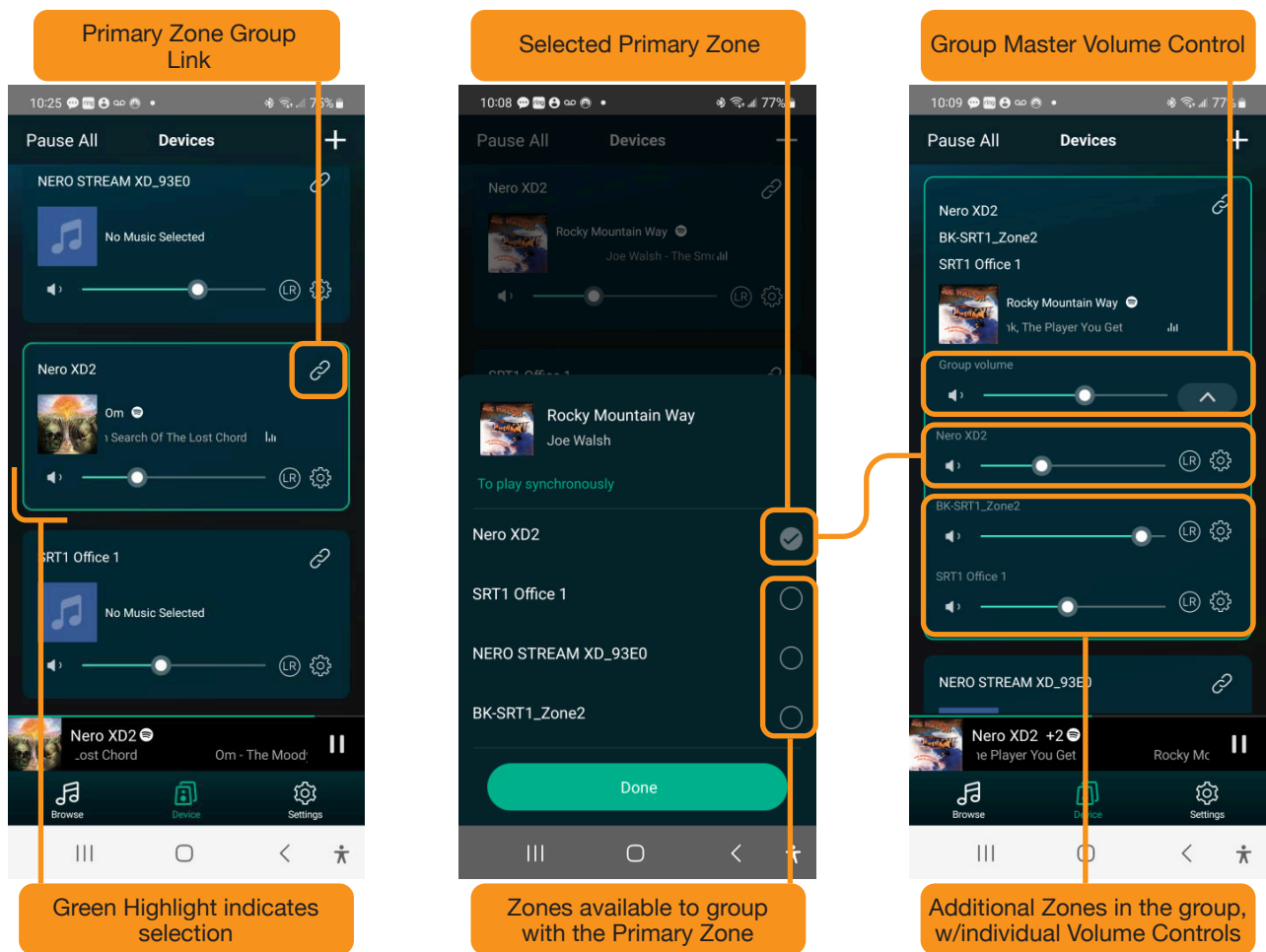
In the OSD Audio Player APP you will see all the connected devices in the same network

1. Select the device you want to control; A green rectangle will highlight the selected Device
2. Select Browse on left side of the Bottom Tool Bar, note the highlighted selection turns dark green
3. From the Browse Screen, Select an online or local music source from the list to start streaming your music (Some sources will need a subscription)

Play the Same Music in Multiple Rooms

Using the OSD Audio Player App, you can play the same music in multiple rooms simultaneously by grouping two or more devices. First, in the Device screen, you select the primary Device (Highlighted by a green rectangle).

Select the Link in the upper right corner of the highlighted Device. A new screen will then appear featuring the selected Primary device and a blank circle for each additional device available to group with it. Just select the devices you want to add and Press the Done Button. Another Screen shows The Group Volume Master control, followed by the primary individual volume control and the independent volume for each grouped Zone.



Selecting a Zone

In the OSD Audio Player APP you will see all the connected devices in the same network.

1. Select the device you want to control; A green rectangle will highlight the selected Device
2. Select Browse on left side of the Bottom Tool Bar, note the highlighted selection turns dark green
3. From the Browse Screen, Select an online or local music source from the list to start streaming your music (Some sources will need a subscription)

SPECIFICATIONS

	Specifications	SRT4 Gen2
I/O Interface	DC Input	DC12V2A
	Analog Audio Input	RCA R&L/Universal Bus
	Digital Audio Input	Digital Optical Input/Universal Bus
	Analog Audio Output	RCA 2V RMS Outputs X 4 Zones
	Digital Audio Output	Digital (Coaxial & Fiber Optic) X 4 Zones
	Trigger Output	12V x 4 Zones/1 each Universal Bus
	USB	Connect USB for Jump Drive x 4 Zones
	Ethernet	Lan Connection 1 Input/1 Output
	LED Indicator	Front Panel Status LED/4 Zone/Wi-Fi/Line In/ Optical In/ Optical In/USB x 4/Network Strength
	Reset Button	Reset Button
Network	Wireless Network	IEE 802.11 b / g / n2.G
	Wired Network	Ethernet RJ45
	Streaming Protocols	AirPlay / DLNA / Spotify Connect
Audio Parameter	Music Format	FLAC / MP3 / AAC / AAC + / ALAC / APE / WAV
	Audio Decode	16/24 Bit / 44kHz to 192 kHz
	Frequency Response	20Hz - 20kHz
	THD + N	0.0003
	SNR	100dB
	LinkPlay Module	LinkPlay A31
Application	OSD Player App/LinkPlay	Updated OSD Player App
	iTunes	For MAC & Windows PC
	Foobar2000 and other support UPnP, DLNA 3rd party program	For MAC & Windows PC
Audio Source	Online Music Streaming Services	Spotify / Napster / Tidal / TuneIn / iHeart Radio / AMAZON Music / vTuner
	Local Storage	Music file store in Mobile phone, NAS & USB disk drive
	Analog Input	RCA R&L Analog
	Digital Input	Digital (Optical & Fiber Optic) Universal Bus
General	Dimension	430mm W x 200mm D x 53mm H
	Inches	16.9" W x 7.87" D x 2.08" H
	Weight	2.3KG/5.07LBS
Power		12Volt 2A AC DV 100-240V FCC and UL external

The information contained in this guide is believed to be accurate and reliable. OSD assumes no responsibility for any errors contained in this guide. OSD reserves the rights to make changes in the specifications and/or design of the above-mentioned product without prior notice. The diagrams contained in this guide may not fully represent the product that you are using, and they are for illustration purpose. OSD assumes no responsibility for any differences between the product mentioned in this guide and the product you may have.



WARRANTY

Warranty Info

All OSD BLACK electronics products have a (2) year Limited Warranty against defects in materials and workmanship. Proof of purchase must accompany all claims. During the warranty period OSD AUDIO will replace any defective part and correct any defect in workmanship without charge for either parts or labor OSD AUDIO may replace returned speakers with a product of equal value and performance. In such cases, some modification to the mounting may be necessary and are not OSD AUDIO's responsibility.

For this warranty to apply, the unit must be installed and used according to its written instructions. If necessary, repairs must be performed by OSD AUDIO. The unit must be returned to OSD AUDIO at the owner's expense and with prior written permission. Accidental damage and shipping damage are not considered defects, nor is damaged resulting from abuse or from servicing performed by an agency or person not specifically authorized in writing by OSD Audio

OSD AUDIO sells products only through authorized dealers and distributors to ensure that customers obtain proper support and service. Any OSD AUDIO product purchased from an unauthorized dealer or other source, including retailers, mail over dealers and on-line sellers will not be honored or serviced under existing OSD AUDIO warranty policy. Any sale of product by an unauthorized source or other manner not authorized by OSD AUDIO shall void the warranty on the applicable product.

Damage to or destruction of components due to application of excessive power voids the warranty on those parts. In these cases, repairs will be made on the basis of the retail value of the parts and labor. To return for repairs, you must email customer service at RMA@audiogeargroup.com for a Returned Merchandise Authorization (RMA) number# then the unit must be shipped to OSD AUDIO at the owner's expense, along with a note explaining the nature of service required. Be sure to pack the unit(s) in a corrugated container with at least 3 inches of resilient material to protect the unit from damage in transit.

This Warranty Does Not Cover:

Damage caused by abuse, accident, misuse, negligence, or improper operation (installation) • Any products that have been altered or modified • Any product whose identifying number of decal, serial #, etc. has been altered, defaced or removed • Normal wear and maintenance.

